

BIOPURE

HEALTHCARE

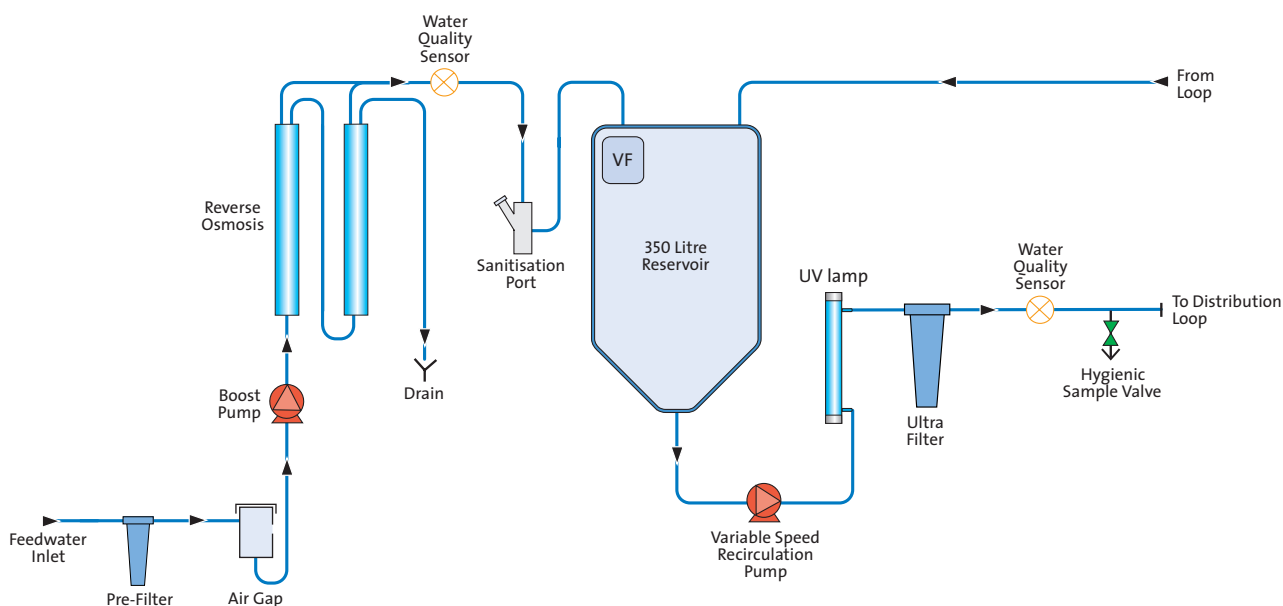


BIOPURE 200/300/600

The BIOPURE 200/300/600 features a unique, award winning design incorporating a very high output water purification system with a large 350 liter storage reservoir. The system is designed to feed large or multiple automated endoscope reproprocessors and washer disinfector installations. The BIOPURE 200/300/600 cost effectively delivers compliant purified water at rates of 200, 300 and 600 liters/hr.

- Compact footprint to save space and facilitate easy installation
- Guaranteed bacterial specification, provided by onboard technology combined with easy system disinfection
- Reliable water quality – unique sanitization design for purification of RO membranes as well as the local distribution loop
- Unique system operation protection using automated alarms and access to important control systems limited by “E key”

BIOPURE 200/300/600



BIOPURE

HEALTHCARE

Treated Water Specifications

MODEL	BIOPURE 200	BIOPURE 300	BIOPURE 600
Make-up rate @15°C	200 l/hr	300 l/hr	600 l/hr
Delivery flow rate – maximum	Up to 30 l/min @ 52psi (3.5bar)	Up to 30 l/min @ 52psi (3.5bar)	Up to 30 l/min @ 52psi (3.5bar)
Inorganics (conductivity @25°C)	<30µS/cm ¹	<30µS/cm ¹	<30µS/cm ¹
Bacteria - typical	<1CFU/10ml ²	<1CFU/10ml ²	<1CFU/10ml ²
Endotoxin	<0.25 EU/ml	<0.25 EU/ml	<0.25 EU/ml

¹ Subject to a maximum feed water TDS of 700 ppm. For applications outside of this range, please contact Technical Support.

² System to be installed and regularly disinfected following ELGA LabWater installation design guidelines. Sample to be taken from hygienic sample valve and sampled in accordance with ELGA LabWater Guidelines.

Dimensions and weights

Dimensions	Height 1820mm (71.7in) Width 730mm (28.75in) Depth 890mm (35in)	Height 1820mm (71.7in) Width 730mm (28.75in) Depth 890mm (35in)	Height 1820mm (71.7in) Width 756mm (28.75in) Depth 1100mm (35in)
Supply weight	180kg (396lb)	180kg (396lb)	210kg (463lb)
Operational weight	530kg (1168lb)	530kg (1168lb)	560kg (1235lb)
Installation	Floor Mounted ³	Floor Mounted ³	Floor Mounted ³

³ Install in a properly ventilated area. All connections – Inlet, sanitization drain, reservoir drain, ringmain outlet and return are 3/4" BSPP (female).

Feedwater Requirement

Source	Tap water as detailed below		
Conductivity	Conductivity <2000 µS/cm *		
Contaminant	Measure	Range	Pretreatment
Calcium	Ca ppm as CaCO ₃	<250	None ⁴
	BIOPURE 200	>250	Softner or use very low RO recovery ⁴
	BIOPURE 300/600	>10	Softner required
Free chlorine	Cl ₂ ppm	<0.1	None
		0.1 – 0.5	20 inch carbon block
		>0.5	Cylinder of carbon sized correctly to obtain <0.1ppm
Chloramine	Cl ₂ ppm	<0.1	None
		0.1 – 0.5	20 inch high efficiency carbon ⁵
		>0.5	Cylinder of carbon sized correctly to obtain <0.1ppm
Silica	SiO ₂ ppm	<30	None
		>30	20 inch cartridge depth filter or use very low RO recovery ⁵
		<10	None
Fouling index	FI	10 to 20	20 inch cartridge depth filter
		>20	Back washable media filter with a minimum flow rate of 20 l/min
		<0.05	None
Iron/manganese	Fe/Mn ppm	>0.05	20 inch cartridge depth filter ⁶
		>0.1	Back-washable Fe filter ⁷
		<2	None
Organics	TOC ppm C	2 to 3	20 inch carbon block ⁵
		>3	Cylinder of carbon sized correctly for TOC demand ⁵
		Temperature	4 - 40°C (Recommended 15 - 25°C)
Flowrate (requirement at 15°C)	20 l/min		
Drain requirements (gravity fall with air gap)	45 l/min		
Feedwater pressure	150psi (10bar) maximum, 30psi (2bar) minimum		

⁴ Check LSI, increase frequency of acid cleaning. ⁵ Increase frequency of alkaline cleaning.

⁶ Please use ELGA Part Numbers LA683 (Filter Housing) and LC172 (Carbon Filter). ⁷ Increase frequency of acid cleaning.

* Deionization cartridge life may vary with feedwaters >1400 µS/cm

Electrical Requirements

Mains Input	230V ac, 50Hz/60Hz
System control voltage (not including pumps and UV)	24V dc
Power consumption (peak demand)	2200VA
Electrical protection rating	20 amps
Noise level during recirculation	<70dBA

Veolia Water Technologies (UK) Ltd

Windsor Court, Kingsmead Business Park, High Wycombe, Buckinghamshire HP11 1JU

Tel: +44 (0) 1628 897000 • Email: sales.watertech@veolia.com • Web: www.veoliawatertechnologies.com

ELGA is the global laboratory water brand name of Veolia. The information contained in this document is the property of VWS (UK) Ltd, trading as ELGA LabWater, and is supplied without liability for errors or omissions. © VWS (UK) Ltd. 2015 – All rights reserved. ELGA® is a registered trademark of VWS (UK) Ltd.

LITR 38766-04